

Key West

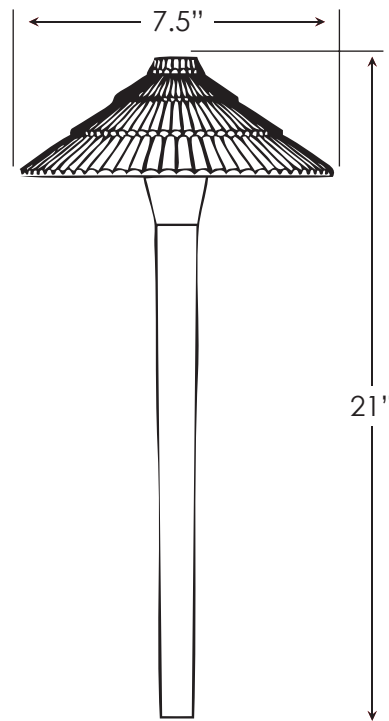
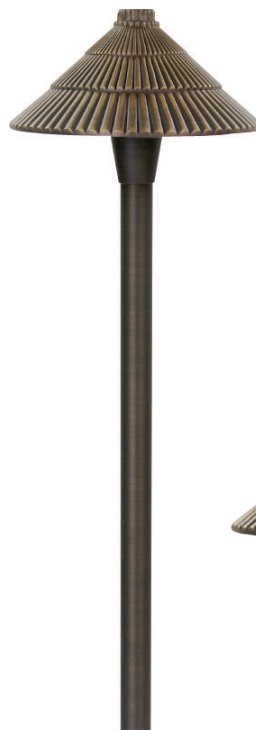
Stake Mounted Path Light

DESCRIPTION

Part#'s	490022 (clear lens)
Material	Solid cast brass
Lamp	10, 20, 35, or 50-Watt bi pin (12 or 24-volt)
LED Lamp	1.8-Watt = 10-Watt ; 3-Watt = 20-Watt
Finish	(WB) Weathered Brass

SPECIFICATIONS

Construction	Cast brass
Weight	3.15 lbs
Voltage	12 or 24-volt
Stem	10-inch brass stem
Shroud	Reflective powder coat interior
Wire	25-foot lead (18/2) factory installed
Wattage	Maximum 50-watts
Lens	Clear polycarbonate impact resistant
Mounting	Heavy duty stake
Lifetime Warranty	



OUTDOORLIGHTING
PERSPECTIVES®

THE NIGHT
IS OURS™



Conforms to UL
Standard 1838
3182781

OutdoorLights.com • 1-800-447-1112

© 2014 Outdoor Lighting Perspectives