

# Sarasota

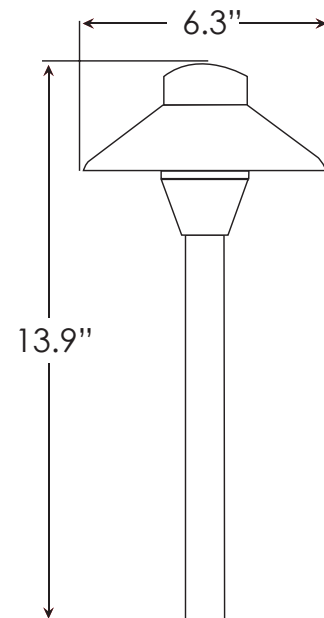
*Stake Mounted Path Light (10 Inch Stem)*

## DESCRIPTION

Part#'s	490025
Material	Solid cast brass
Lamp	10, 20, 35, or 50-watt bi pin (12 or 24-volt)
LED Lamp	1.8-watt = 10-watt ; 3-watt = 20-watt
Finish	(WB) Weathered Brass

## SPECIFICATIONS

Construction	Cast brass
Weight	3.15 lbs
Voltage	12 or 24-volt
Stem	10-inch brass stem
Shroud	Reflective powder coat interior
Wire	10-foot lead (18/2) factory installed
Wattage	Maximum 50-watts
Lens	Clear polycarbonate impact resistant
Mounting	Heavy duty stake
Lifetime Warranty	



**OUTDOORLIGHTING**  
PERSPECTIVES®

THE NIGHT  
IS OURS™



Conforms to UL  
Standard 1838  
3182781

OutdoorLights.com • 1-800-447-1112

© 2014 Outdoor Lighting Perspectives