

# Cayman

*Adjustable Gimbal Well Light*

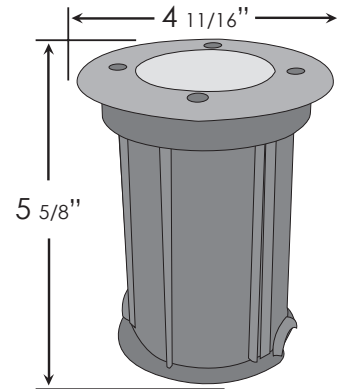
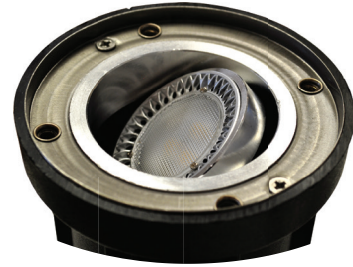
## DESCRIPTION

DFC-MR16-AG-WB-NW ADJUSTABLE GIMBAL WELL

Part# 490063  
Material Composite  
Lens Tempered clear glass  
Finish (WB) Weathered Brass

## SPECIFICATIONS

Construction	Composite
Weight	1.75 lb
Wire	10' pigtail (18/2)
Shroud	Gasketed
Wattage	Maximum 35-Watts
Lens	Tempered glass



**OUTDOORLIGHTING**  
PERSPECTIVES®

THE NIGHT  
IS OURS™

OutdoorLights.com • 1-800-447-1112



Conforms to UL  
Standard 1838  
3182781

© 2014 Outdoor Lighting Perspectives