

ANTIQUE BRASS DECK LIGHT

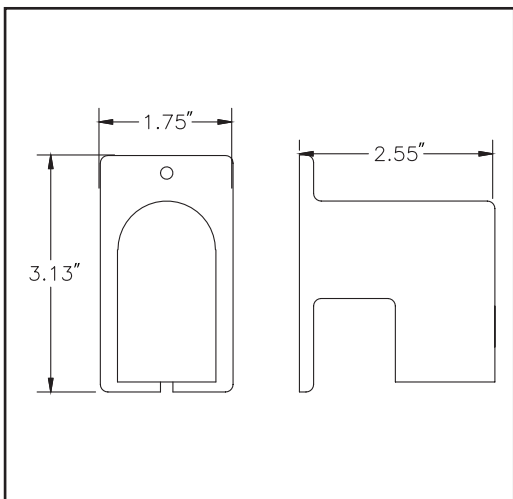
**BB-O2 LED STANDARD
AND HIGH OUTPUT**



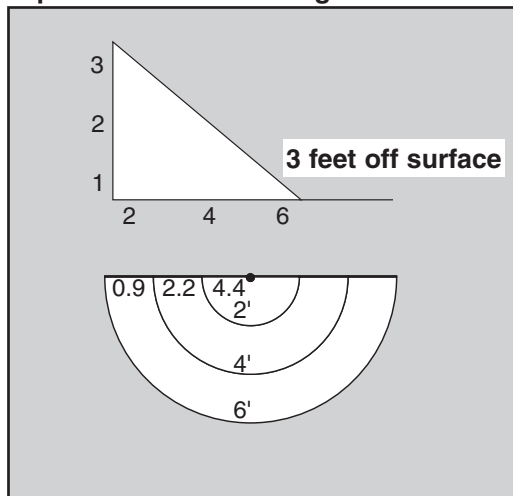
ANT. BRASS WALL/DECK LIGHT bb-02 LED Deck

A slender option for narrow deck or fence rails or anywhere a discreet fixture is best, this efficient deck light is made to blend in with its surroundings and pack a powerful punch.

- LAMP:** 1.5 / 3 WATT LED
- EQUIVALENT:** 10 / 20 WATT HALOGEN
- MATERIAL:** ANTIQUE BRASS
- SPECIFICATIONS:** 150/300 LUMENS
2,700K
80+ CRI
WET LOCATION



Equivalent 20 Watt Halogen



Equivalent 10 Watt Halogen

