

Bellmont

Stake Mounted Up Light

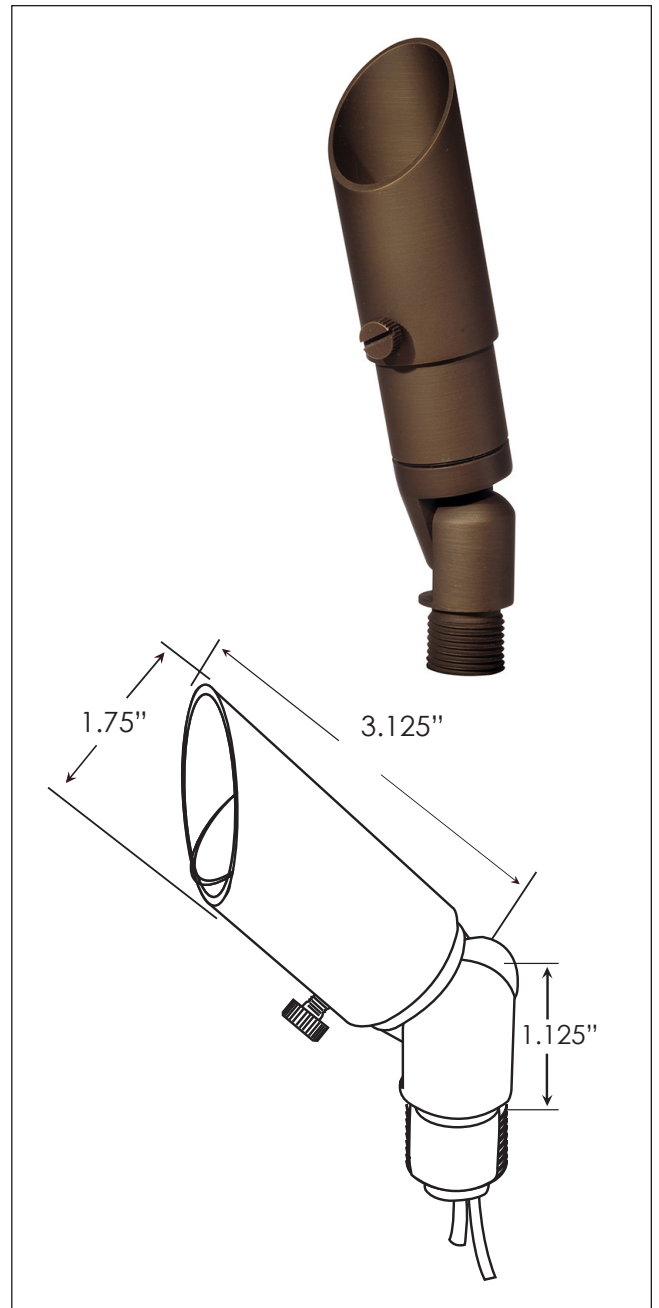
DESCRIPTION

Material	Solid cast brass. Adjustable shroud with tension screw
Socket	One fixed ceramic bi-pin socket with stainless steel retaining springs.
LED Lamp	2.5 Watt MR8
Finish	(WB) Weathered Brass

SPECIFICATIONS

Construction	Cast brass
Weight	1.2 lbs
Voltage	12-Volt
LED Available Beam Spreads	60°
LED Lamp	12V 2.5W MR8. LED recommended.
Wire	5-foot lead (18/2) factory installed
Wattage	Maximum 35-Watts
Lens	Clear convex tempered lens
Mounting	Heavy duty composite stake. May be mounted into threaded hubs in junction boxes or mounting accessories

Lifetime Warranty



OUTDOORLIGHTING
PERSPECTIVES®

THE NIGHT
IS OURS™



Conforms to UL
Standard 1838
3182781

OutdoorLights.com • 1-800-447-1112

© 2014 Outdoor Lighting Perspectives