

Type: _____

Model: _____

Project: _____

SPECIFICATION SHEET

MODEL: Key West

SPECIFICATIONS

HOUSING:

Cast brass with weathered brass finish.

LENS:

Clear tempered glass lens.

STEMS:

10", 18" and 60" stems are sold separately.

SOCKET/LAMP HOLDER:

One fixed ceramic bi-pin socket in stem accepts bi-pin lamps with G4 and GY6.35 bases.

LAMP TYPE:

12V SMD or encapsulated bi-pin. 35W maximum.

MOUNTING:

Stem threaded with 1/2" NPT. Heavy-duty composite stake included with stem. May be mounted into threaded hubs in junction boxes or mounting accessories shown on back page.

WIRING:

Stem prewired with 5' pigtail of 18/2 cable.

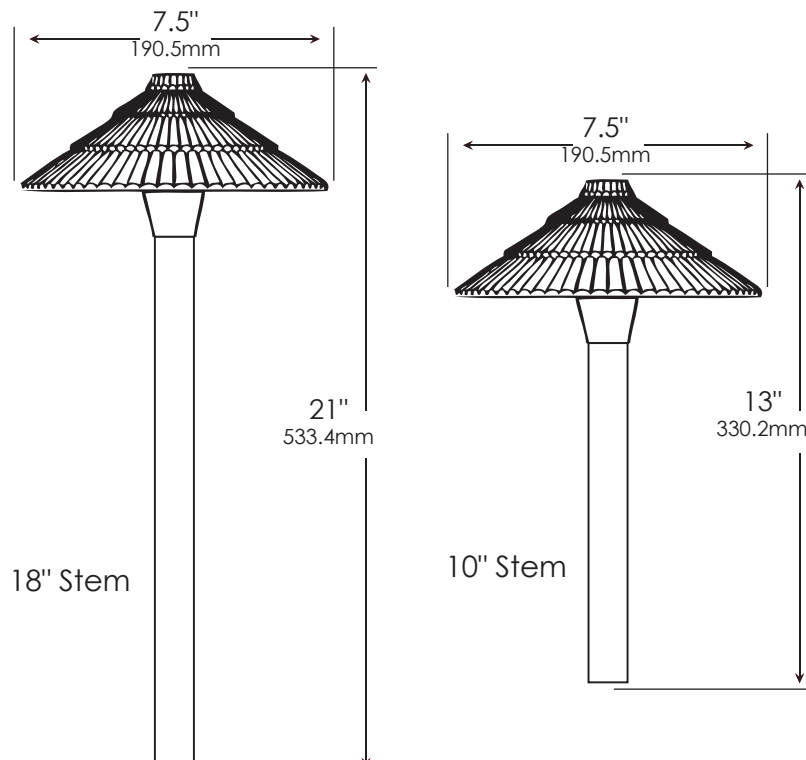
WARRANTY:

Lifetime.



The Key West path light features a 7.5-inch-diameter cast brass hat with tropical decorative sculpting. Impact-resistant clear lens and reflective white undersurface. Approved as sea-turtle and wildlife-safe by the Florida Fish and Wildlife Conservation Commission and the U.S. Fish and Wildlife Service when used with a wildlife-safe Dauer LED lamp. Socketed and wired brass stems are available in 10-inch, 18-inch, and 60-inch lengths.

DIMENSIONS:



LED LAMP SPECIFICATIONS

LAMP TYPE:

IP65 outdoor-rated SMD or encapsulated bi-pin with 5-year warranty.

COLOR TEMPERATURES:

2800K warm white or 6000K cool white. Decorative and wildlife-approved color light options include blue, green, and sea-turtle-safe amber and red.



FITTURE	STEM	LAMP			MOUNTING	
		WATTAGE	TYPE	COLOR TEMP.		
Key West	490025 (10")	2W	E Encapsulated bi-pin	2800K / 6000K	MS	Composite stake (incl.) 490029
		490026 (18")	2.2W	S SMD bi-pin	2800K	M3
	490027 (60")	3W	E Encapsulated bi-pin	2800K / 6000K	MY	Y-bracket surface mount 490045
		3.3W	S SMD bi-pin	2800K / Amber / Blue / Green / Red	MG	Brass gutter mount 490047
		4W	E Encapsulated bi-pin/ S SMD bi-pin	2800K	MR	Round 3-hole surface mount 490048
		5W	S SMD bi-pin	2800K		