

Type: _____

Model: _____

Project: _____

SPECIFICATION SHEET

MODEL: Charleston

SPECIFICATIONS

HOUSING:

Cast brass with weathered brass finish.

LENS:

Clear polycarbonate.

SOCKET/LAMP HOLDER:

One fixed ceramic bi-pin socket accepts bi-pin lamps with G4 and GY6.35 bases.

LAMP TYPE:

12V SMD or encapsulated bi-pin. 35W maximum.

MOUNTING:

Threaded with 1/2" NPT. Heavy-duty composite stake included. May be mounted into threaded hubs in junction boxes or mounting accessories shown on back page.

WIRING:

Prewired with 5' pigtail of 18/2 cable.

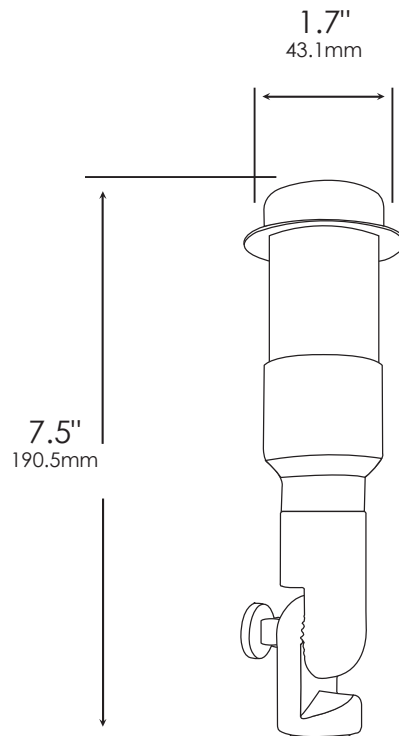
WARRANTY:

Lifetime.



The versatile cast brass Charleston micro-flood casts a flattering 180° wash on architectural elements, sculptures, rock gardens, barrier walls, and foliage. Clear impact-resistant lens and reflective interior. Tilt angle is securely adjustable with brass knob.

DIMENSIONS:



LED LAMP SPECIFICATIONS

LAMP TYPE:

Dauer IP65 outdoor-rated SMD or encapsulated bi-pin with 5-year warranty.

COLOR TEMPERATURES:

2800K warm white or 6000K cool white. Decorative and wildlife-approved color light options include blue, green, and sea-turtle-safe amber and red.



FIXTURE	LAMP			MOUNTING		RISER	
Charleston	WATTAGE	TYPE	COLOR TEMP.	MS	Composite stake (incl.) 490029	R2	2" brass riser 490038
	2W	E Encapsulated bi-pin	2800K / 6000K	M3	3-prong tri-stake 490030	R3	3" brass riser 490039
	2.2W	S SMD bi-pin	2800K	MY	Y-bracket surface mount 490045	R6	6" brass riser 490031
	3W	E Encapsulated bi-pin	2800K / 6000K	MG	Brass gutter mount 490047	R12	12" brass riser 490032
	3.3W	S SMD bi-pin	2800K / Amber / Blue / Green / Red	MR	Round 3-hole surface mount 490048	R24	24" brass riser 490033
	4W	E Encapsulated bi-pin/ S SMD bi-pin	2800K				
	5W	S SMD bi-pin	2800K				