

Type: _____

Model: _____

Project: _____

SPECIFICATION SHEET

MODEL: BB-08 LED HO

SPECIFICATIONS

HOUSING:

Spun copper

SOCKET/LAMP HOLDER:

One ceramic bi-pin socket with stainless steel spring.

LENS:

Clear tempered glass convex lens.

LAMP TYPE:

3-watt LED Slugger

MOUNTING:

Cast brass stem threaded with 1/2" NPT. Heavy-duty composite stake included. May be mounted into threaded hubs in junction boxes or with mounting accessories.

WIRING:

Prewired with 5' pigtail of 18/2 cable.

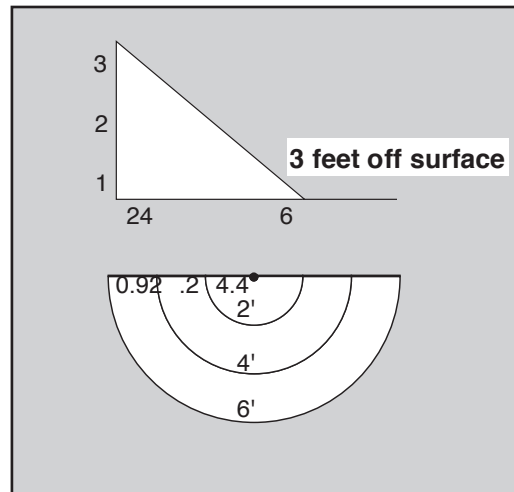
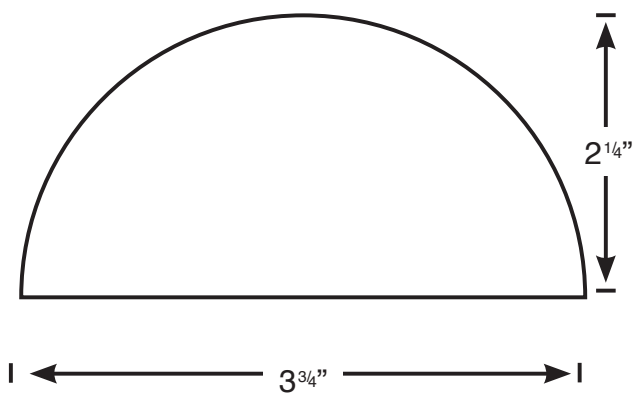
WARRANTY:

Lifetime.



This understated yet powerful fixture casts the industry's widest indirect wash of illumination from its perch upon deck posts and retaining walls. Our "half moon" sconce delivers rich ambient light, and the beautiful copper finish weathers the elements with grace over time.

DIMENSIONS:



LED LAMP SPECIFICATIONS

LAMP TYPE:

MR16 UL-listed (E353116) 12V lamp with 5-year warranty, dimmable, and suitable for enclosed luminaires.

OPTICS:

Integral optics providing available beam spreads from 15° to 60°.

COLOR TEMPERATURES:

Color temperature options provide the following qualities: 2700K=ultra-warm; 3000K=warm white; 4000K=neutral white; 5000K=cool white. Decorative color light options include amber, blue, green, and red.



FIXTURE	LAMP			MOUNTING		RISER	
BB-08 LED HO	WATTAGE	BEAM SPREAD	COLOR TEMP.	MS	Composite stake (incl.) 490029	R2	2" brass riser 490038
	2W	25° / 40° / 60°	2700K / 3000K	M3	3-prong tri-stake 490030	R3	3" brass riser 490039
	4W	25° / 40° / 60°	2700K / 3000K	MY	Y-bracket surface mount 490045	R6	6" brass riser 490031
	5W	15° / 25° / 40° / 60°	2700K / 3000K	MG	Brass gutter mount 490047	R12	12" brass riser 490032
		25°	Amber / Blue / Green / Red	MR	Round 3-hole surface mount 490048	R24	24" brass riser 490033
	6W	25° / 40° / 60°	2700K / 3000K	MP	PVC mounting stake 490037		
	7W	25° / 40°	2700K / 3000K / 4000K / 5000K				
		60°	2700K / 3000K				