

Type: _____

Model: _____

Project: _____

SPECIFICATION SHEET

MODEL: BB-09 LED Slugger

SPECIFICATIONS

HOUSING:

Spun copper

SOCKET/LAMP HOLDER:

One ceramic bi-pin socket with stainless steel spring.

LENS:

Clear tempered glass convex lens.

LAMP TYPE:

4-watt LED Slugger

MOUNTING:

30-inch stake standard with custom lengths upon request in angle or threaded

WIRING:

Prewired with 5' pigtail of 18/2 cable.

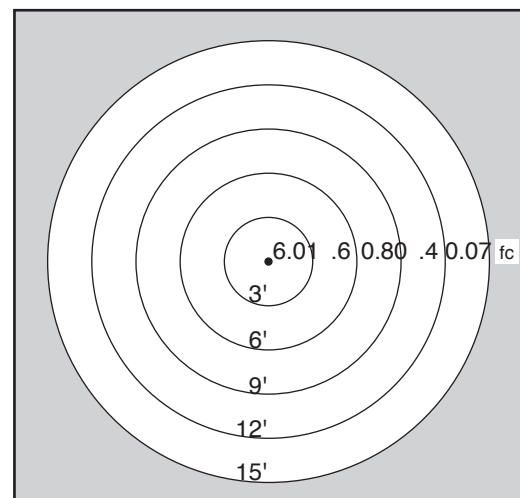
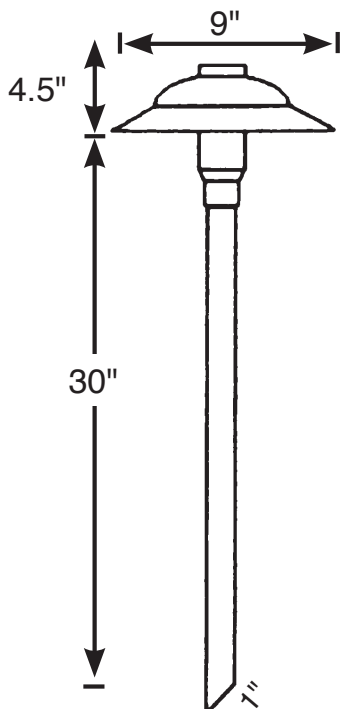
WARRANTY:

Lifetime.



Highlight and secure your walkway with the uncompromising illumination and flexible range of our Large Dome Nine-Inch Path Light. Perfect for highlighting steps, driveways and more, it provides the critical visibility that prevents nighttime missteps.

DIMENSIONS:



LED LAMP SPECIFICATIONS

LAMP TYPE:

MR16 UL-listed (E353116) 12V lamp with 5-year warranty, dimmable, and suitable for enclosed luminaires.

OPTICS:

Integral optics providing available beam spreads from 15° to 60°.

COLOR TEMPERATURES:

Color temperature options provide the following qualities: 2700K=ultra-warm; 3000K=warm white; 4000K=neutral white; 5000K=cool white. Decorative color light options include amber, blue, green, and red.



FIXTURE	LAMP			MOUNTING		RISER	
BB-09 LED Slugger	WATTAGE	BEAM SPREAD	COLOR TEMP.	MS	Composite stake (incl.) 490029	R2	2" brass riser 490038
	2W	25° / 40° / 60°	2700K / 3000K	M3	3-prong tri-stake 490030	R3	3" brass riser 490039
	4W	25° / 40° / 60°	2700K / 3000K	MY	Y-bracket surface mount 490045	R6	6" brass riser 490031
	5W	15° / 25° / 40° / 60°	2700K / 3000K	MG	Brass gutter mount 490047	R12	12" brass riser 490032
		25°	Amber / Blue / Green / Red	MR	Round 3-hole surface mount 490048	R24	24" brass riser 490033
	6W	25° / 40° / 60°	2700K / 3000K	MP	PVC mounting stake 490037		
	7W	25° / 40°	2700K / 3000K / 4000K / 5000K				
		60°	2700K / 3000K				